

SAMPLE

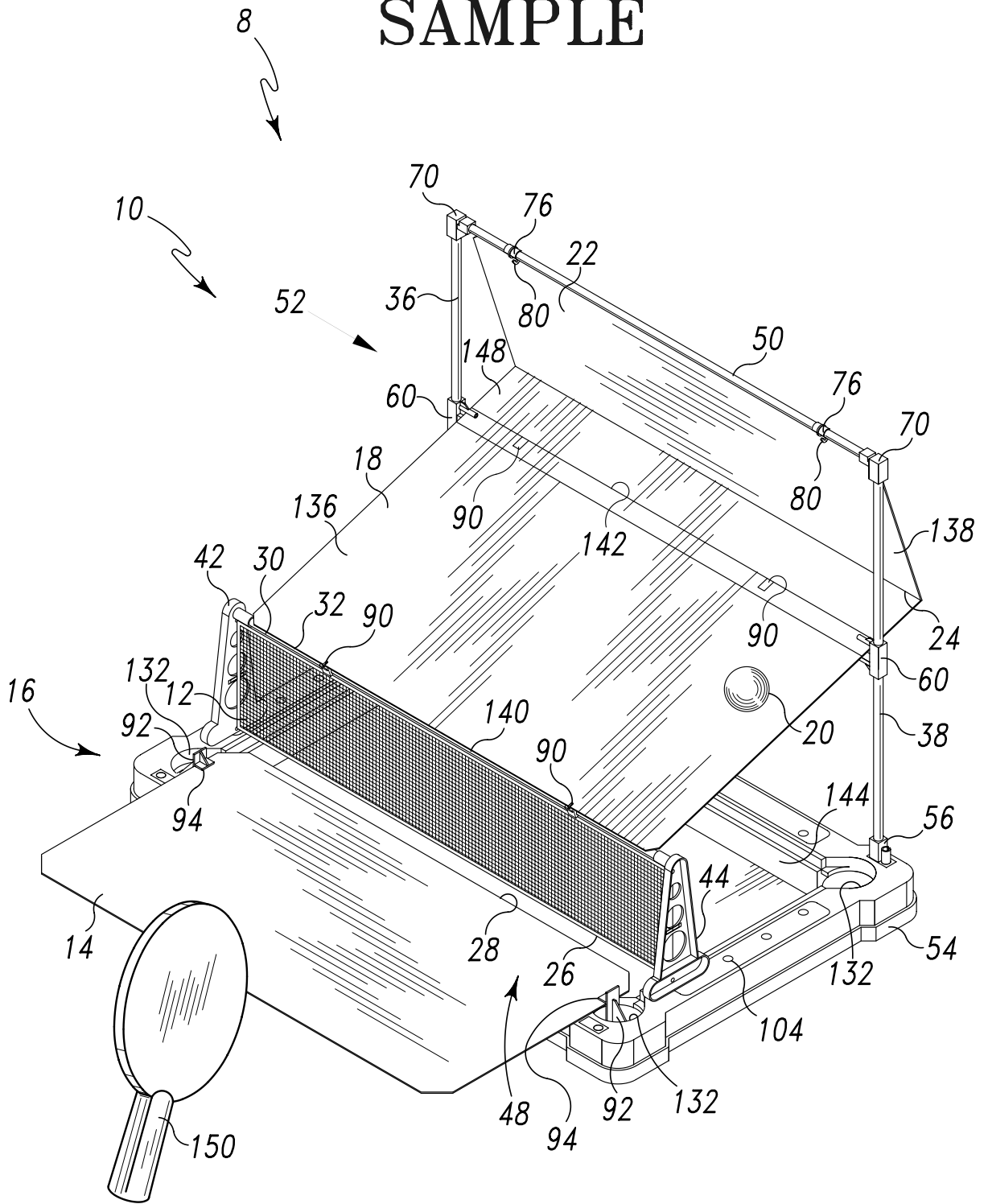


Fig. 1

SAMPLE

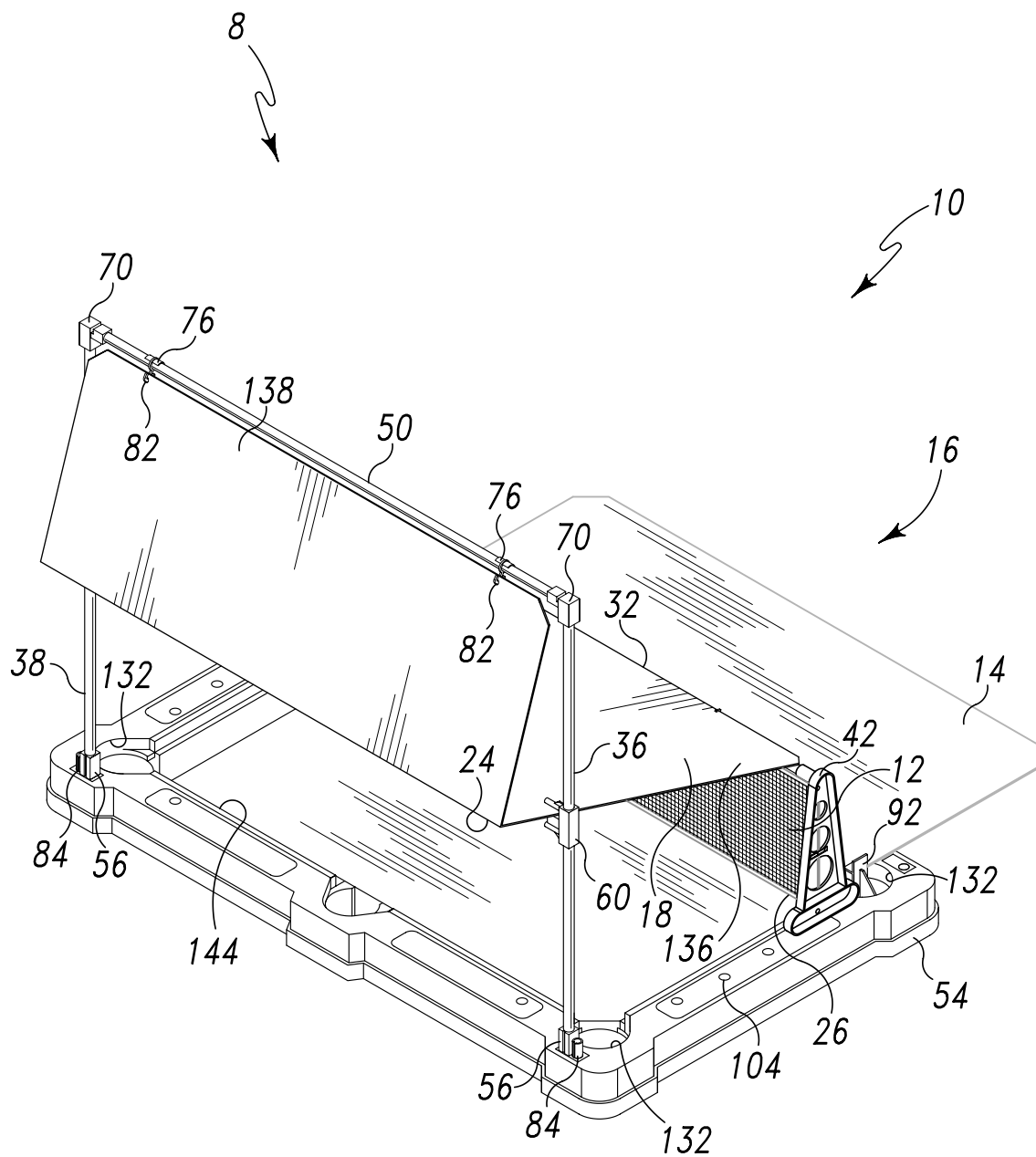


Fig. 2

SAMPLE

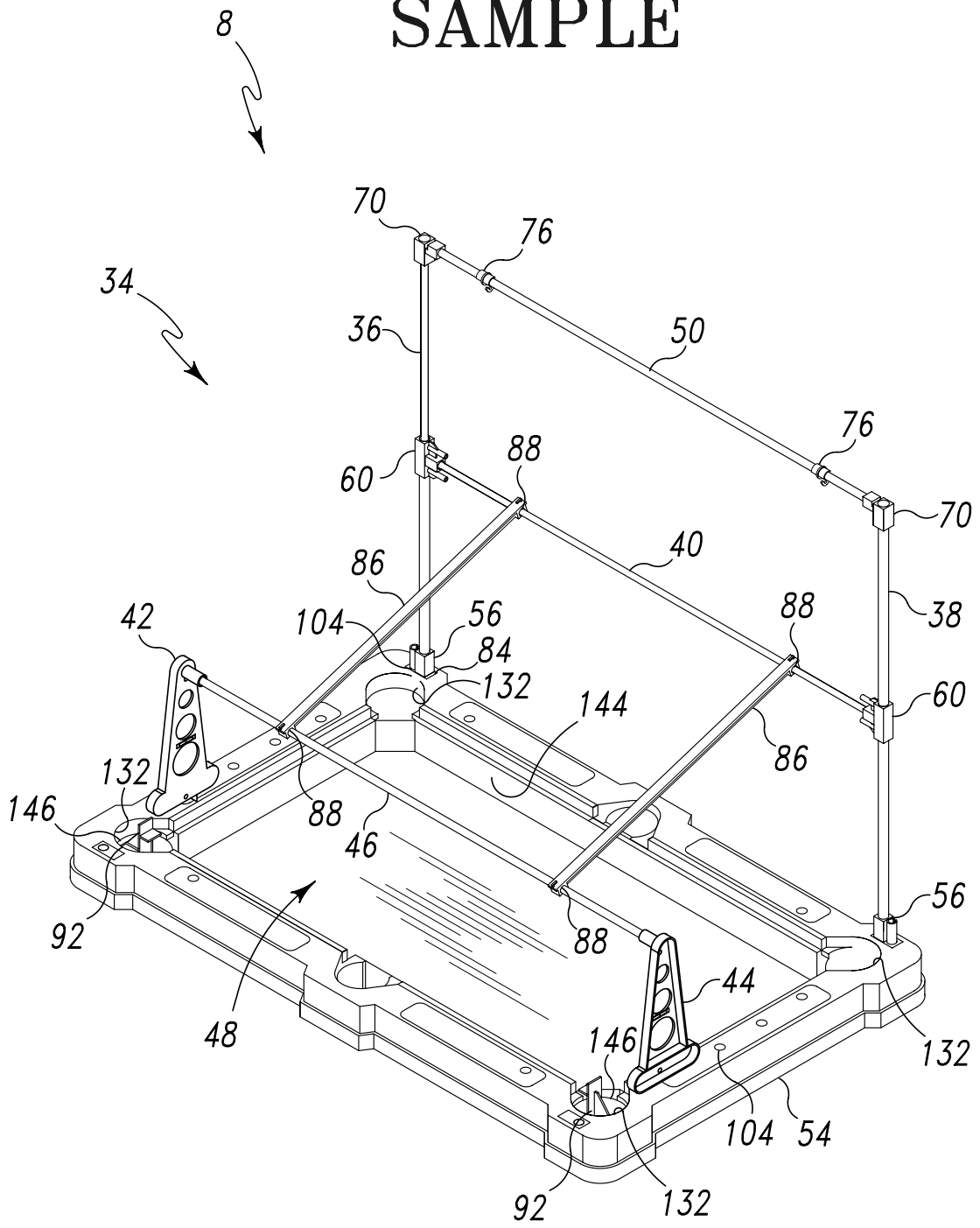


Fig. 3

SAMPLE

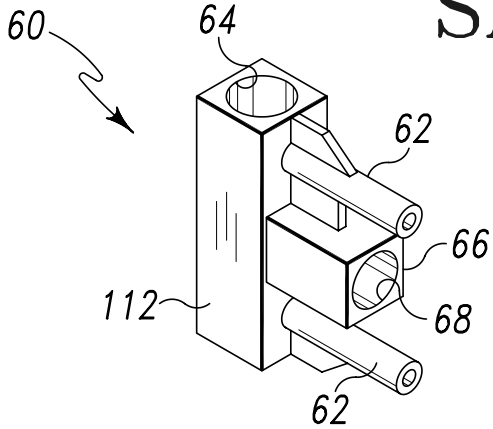


Fig. 4

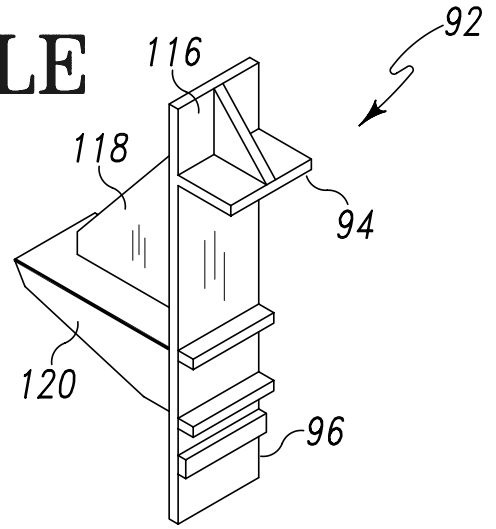


Fig. 7

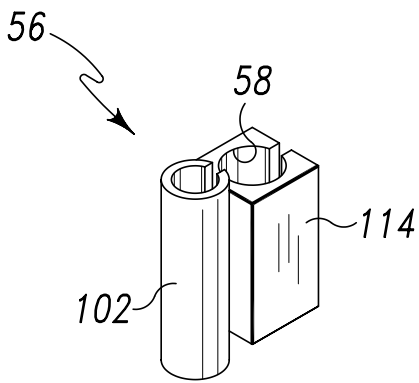


Fig. 5

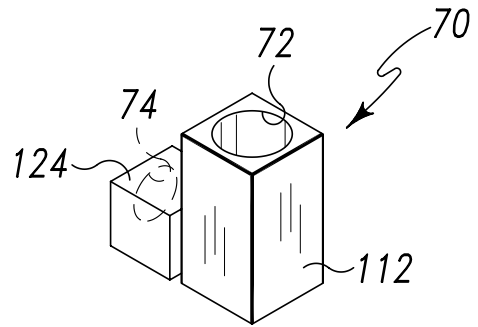


Fig. 8

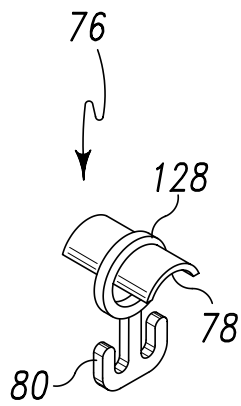


Fig. 6

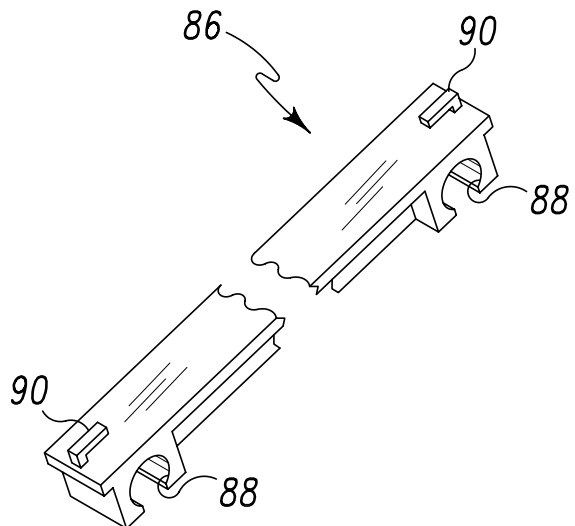


Fig. 9

SAMPLE

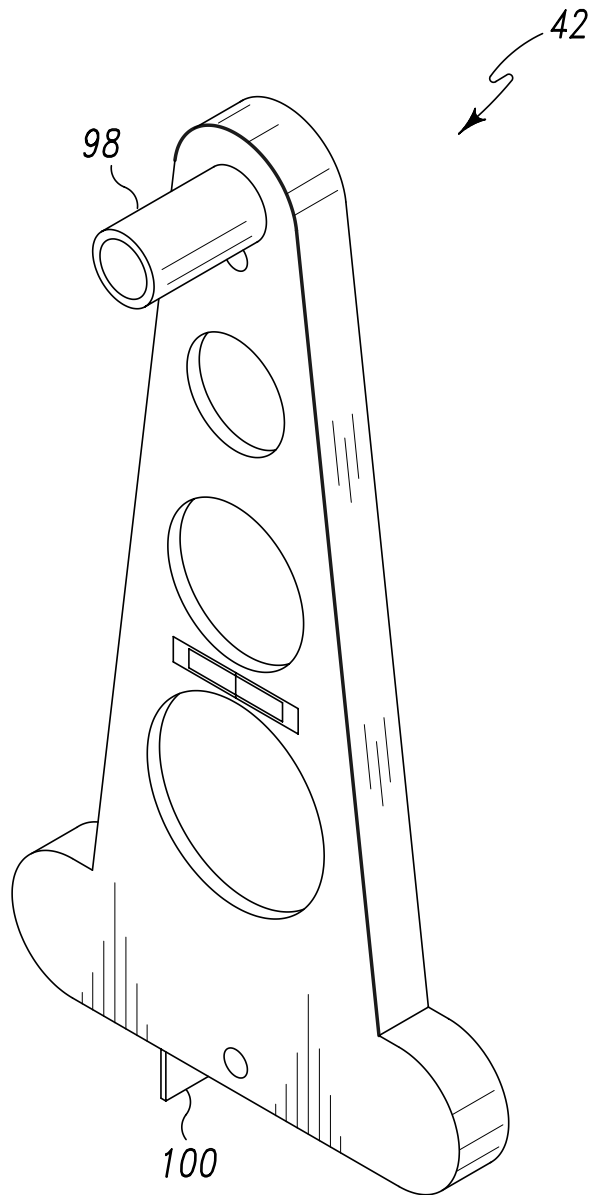


Fig. 10

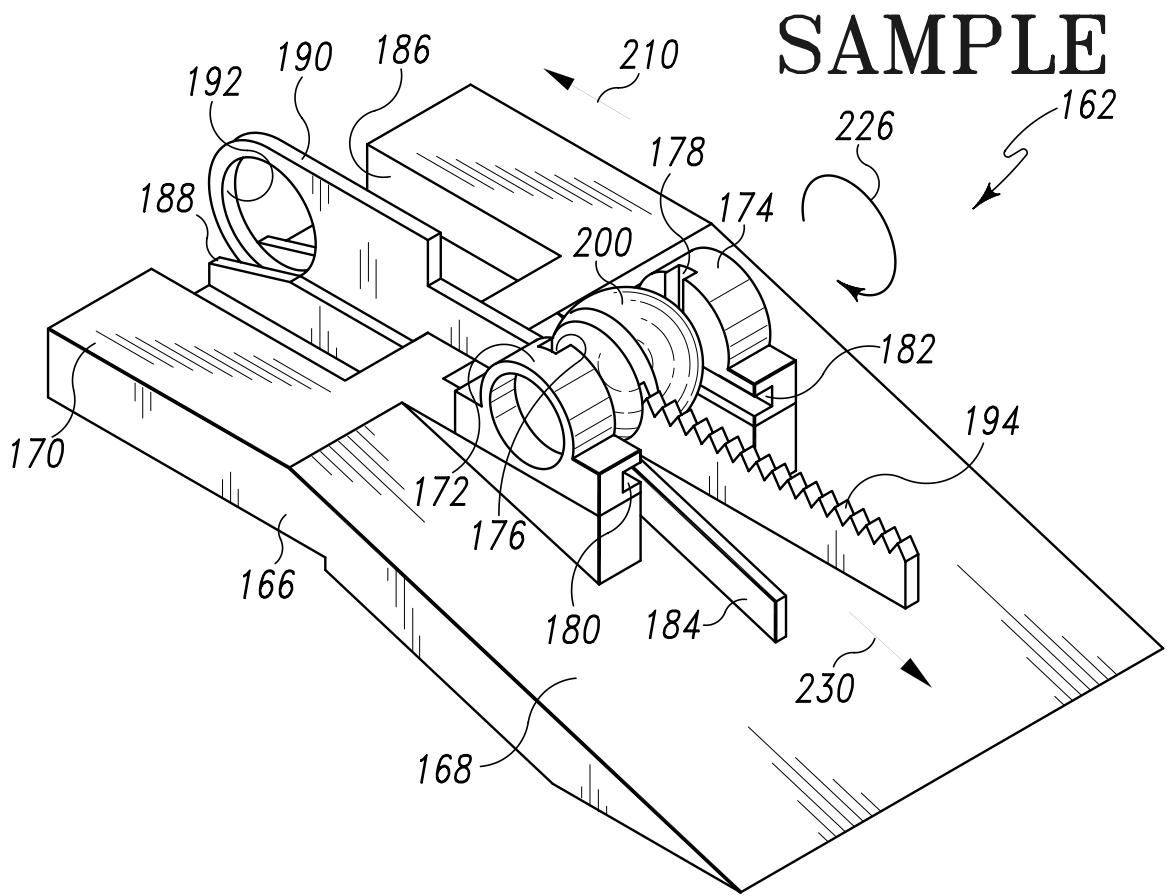


Fig. 12

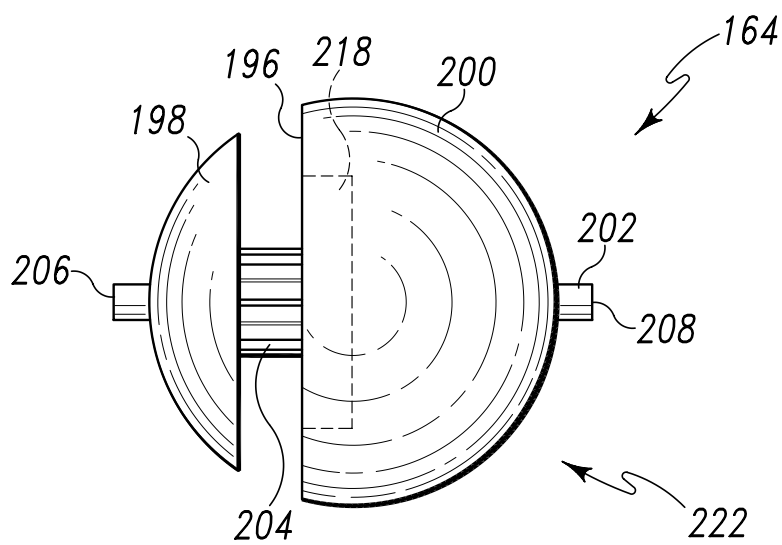


Fig. 13

SAMPLE

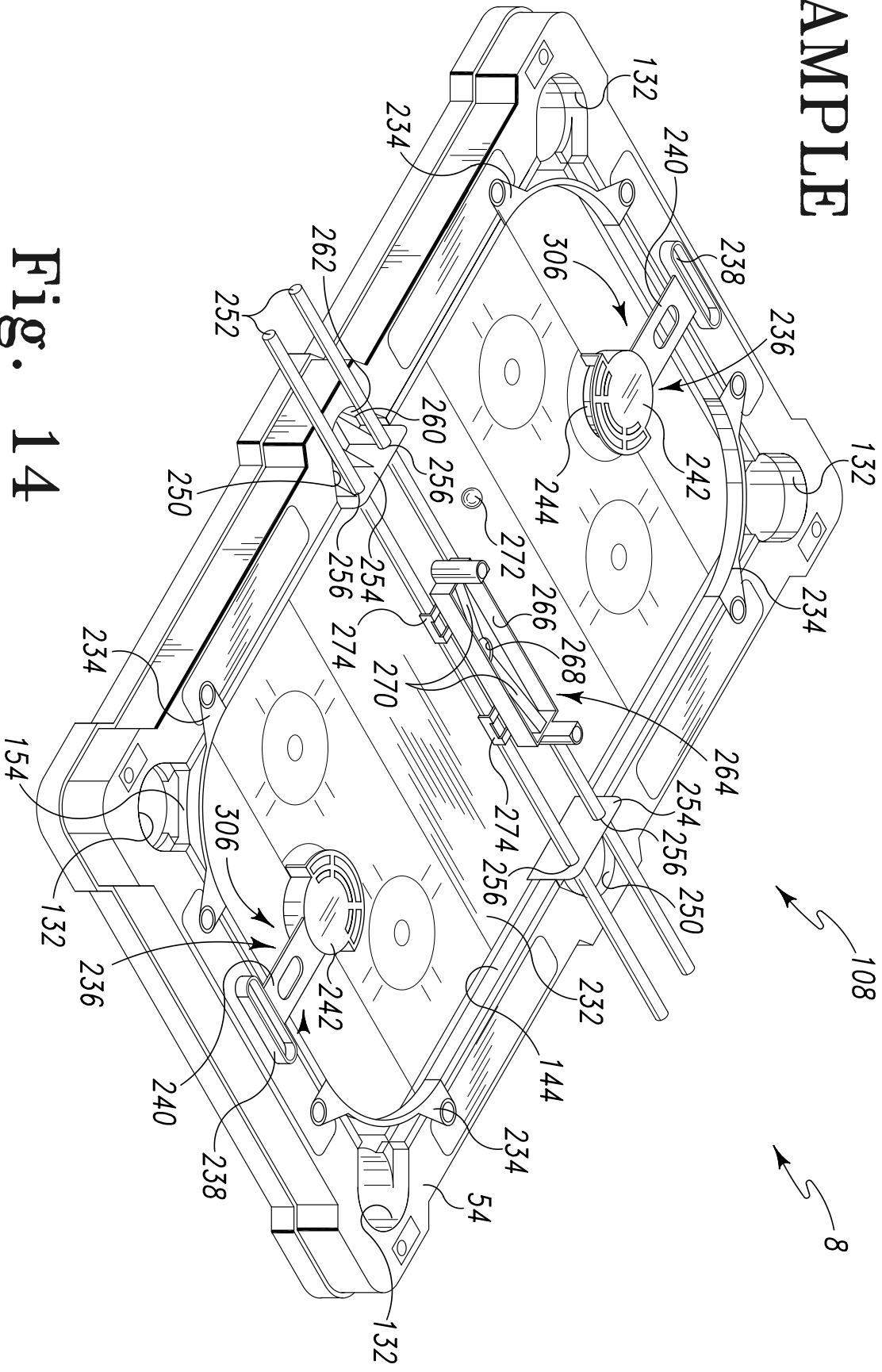


Fig. 14

SAMPLE

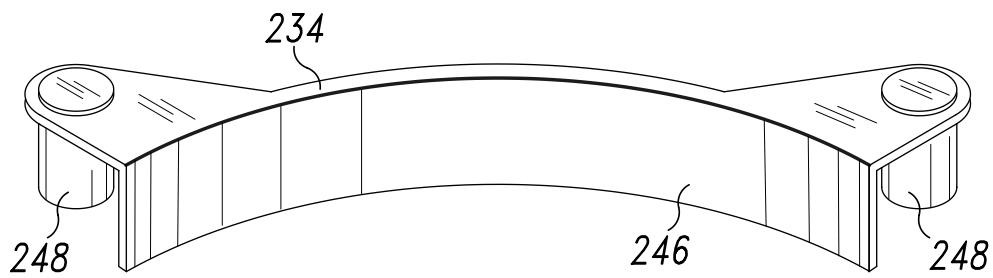


Fig. 15

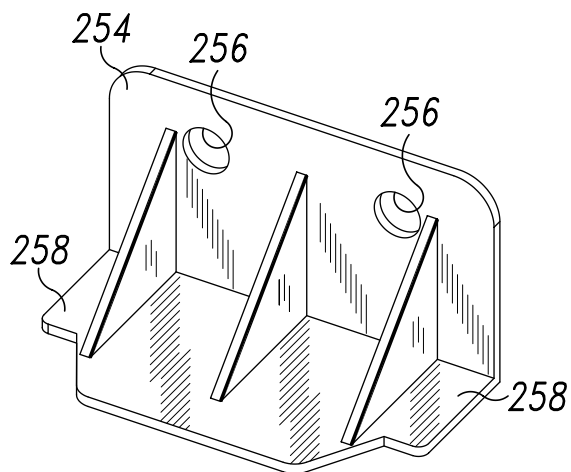
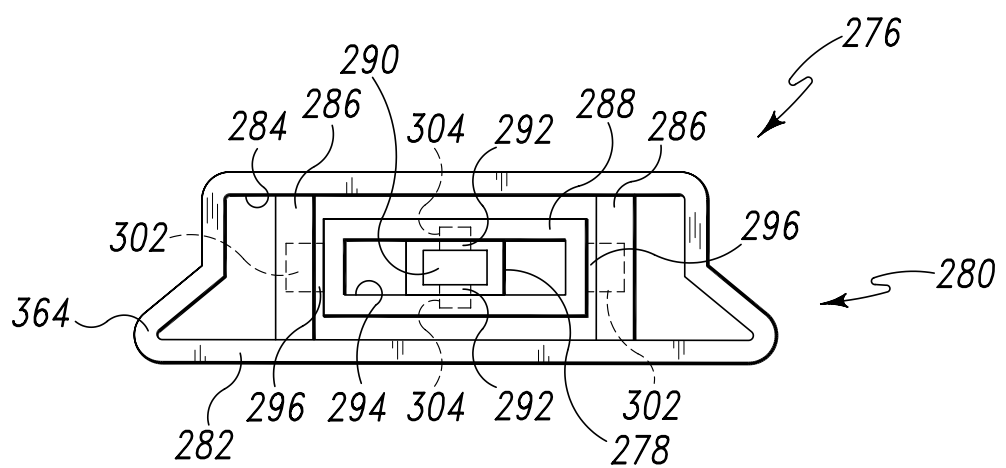
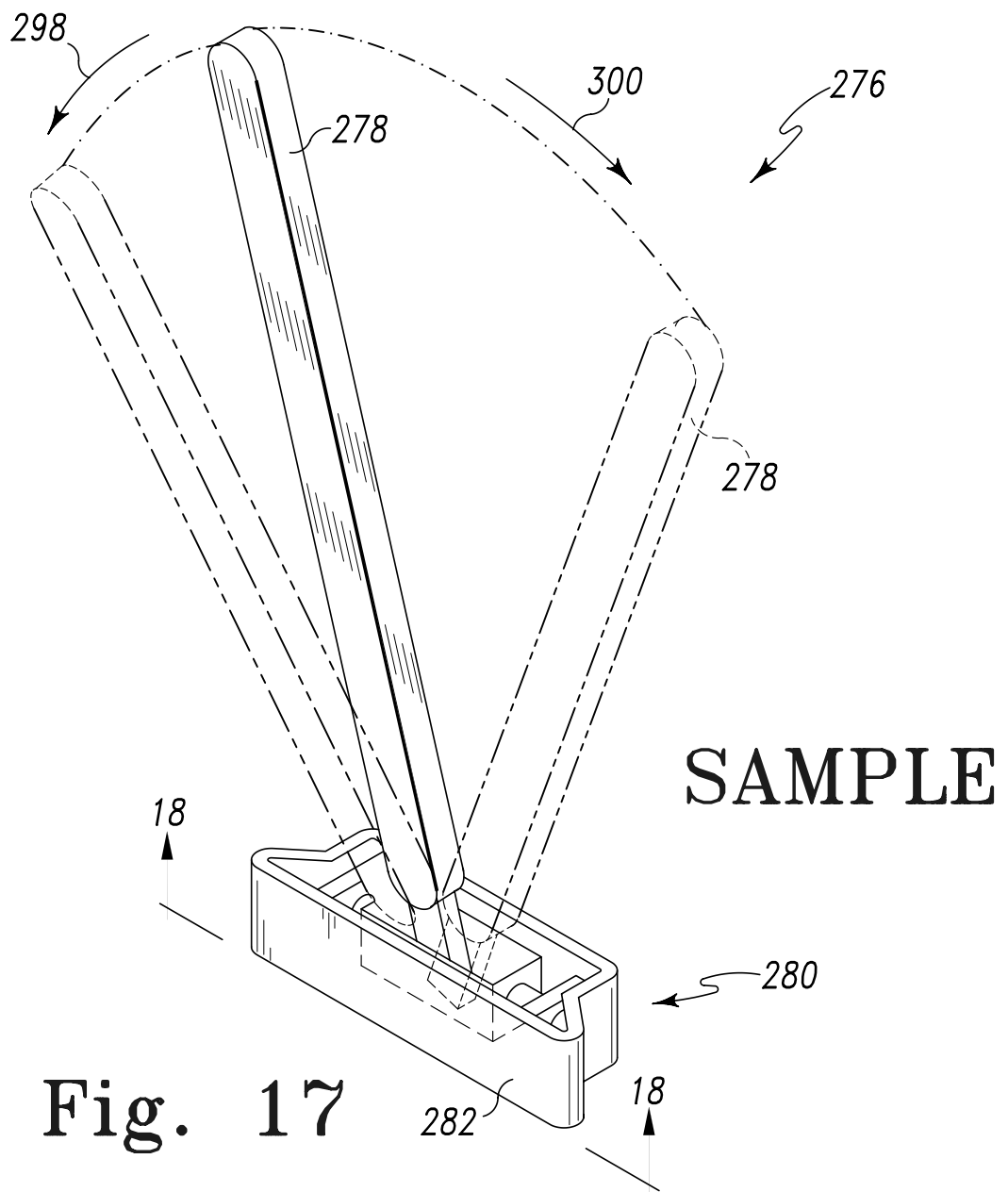


Fig. 16



SAMPLE

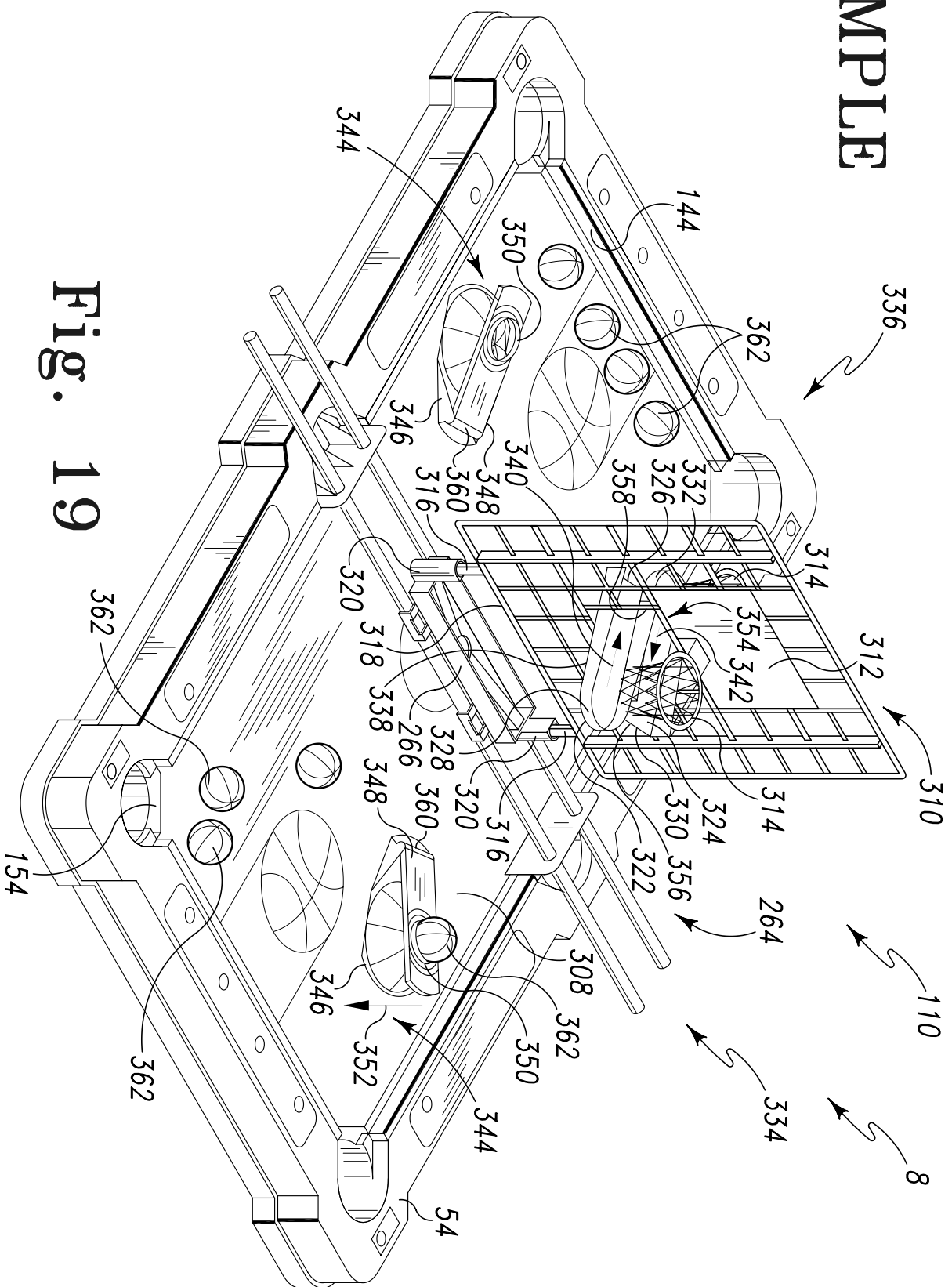


Fig. 19